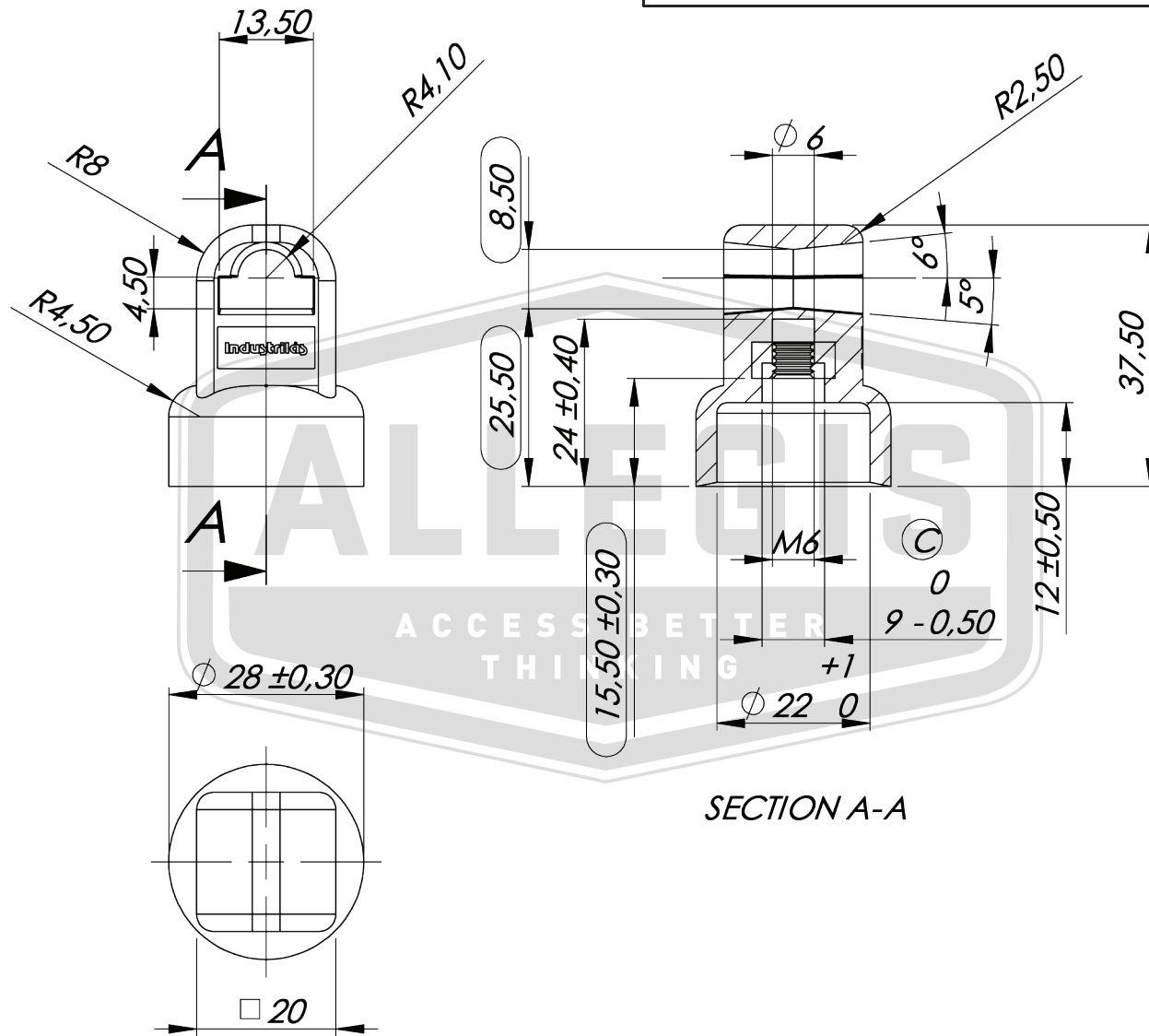


APPROVAL - CUSTOMER NAME & SIGNATURE

DATE



SECTION A-A

ALLEGIS

1-866-378-7550

MATERIAL:

DRAWING NO.:

285023

FINISH:

REV.:

1:1

DATE:

6/11/2019